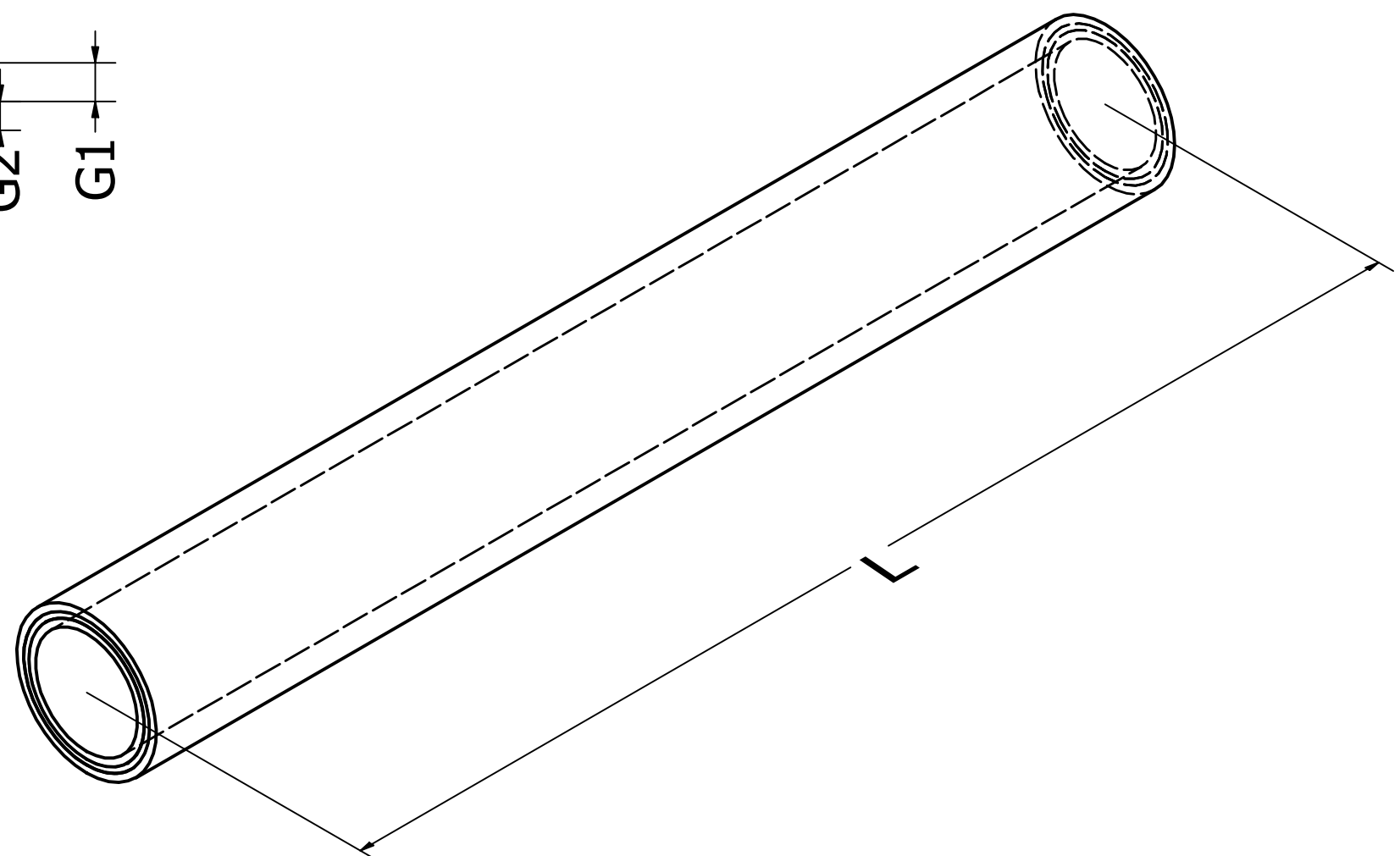
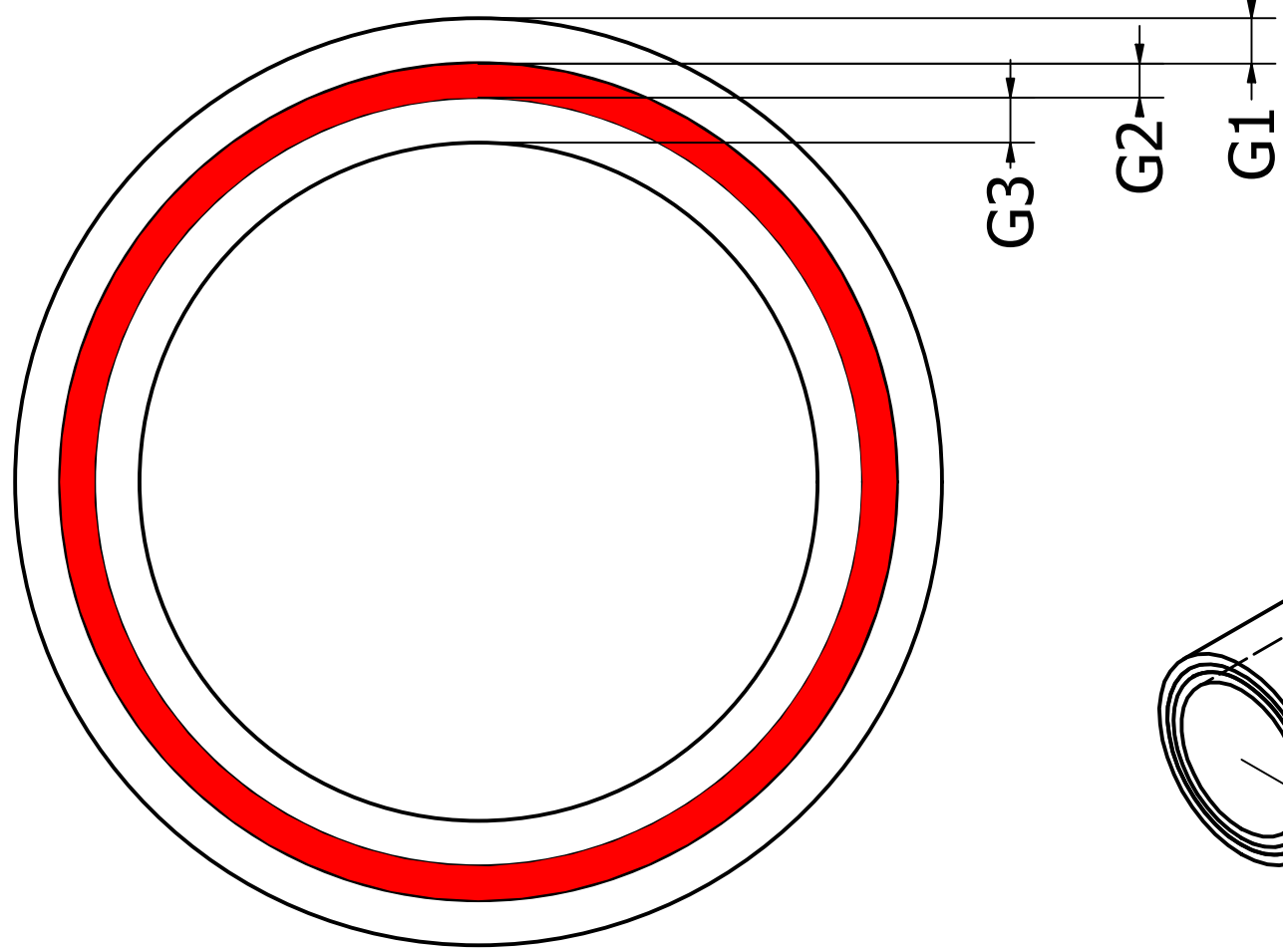


6 1 5 1 4 3 1 2 1 1

D

D



C

C

B

B

A

A

DN	Dimensiuni strat exterior PPR 20%				Dimensiuni strat intermediar PPR-GF 60%				Dimensiuni strat interior PPR 20%				L
	G1 (min)	G1 (max)	Masa minima G1	Masa maxima G1	G2 (min)	G2 (max)	Masa minima G2	Masa maxima G2	G3 (min)	G3 (max)	Masa minima G3	Masa maxima G3	
[mm]	[mm]	[mm]	[kg/m]	[kg/m]	[mm]	[mm]	[kg/m]	[kg/m]	[mm]	[mm]	[kg/m]	[kg/m]	[mm]
20	0.55	0.65	0.031	0.036	1.70	1.90	0.094	0.104	0.55	0.65	0.024	0.027	4012
25	0.70	0.80	0.049	0.056	2.10	2.40	0.146	0.163	0.70	0.80	0.038	0.041	4012
32	0.90	1.05	0.08	0.093	2.60	2.90	0.231	0.253	0.90	1.05	0.062	0.07	4012
40	1.10	1.30	0.122	0.145	3.30	3.60	0.366	0.393	1.10	1.30	0.095	0.108	4012
50	1.40	1.60	0.195	0.222	4.10	4.50	0.568	0.615	1.40	1.60	0.151	0.167	4012
63	1.70	1.95	0.298	0.342	5.20	5.70	0.908	0.983	1.70	1.95	0.231	0.257	4012

Proiectat	Cosmin Cristea	Scara 6:1	Material Polypropylene	mm
Desenat	Cosmin Cristea			
Verificat	Claudiu Dragomir			
Aprobat	Iulian Vasile	Masa[kg]:	<input checked="" type="checkbox"/> <input type="checkbox"/> <input type="checkbox"/> <input type="checkbox"/>	Dimensiune format A3
1 / 1	Companie SC TE-MA Romania SRL	Denumire piesa Teava PPR		

6 1 5 1 4 3 1 2 1 1